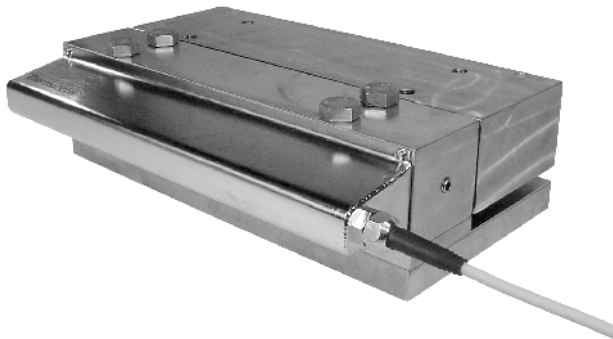


Web Tension Unit



FEATURES

- Resistant against harsh environment
- High overload capacity
- Low building height
- Load cells adjustable in the resultant direction to optimise the output signal

TECHNICAL DATA

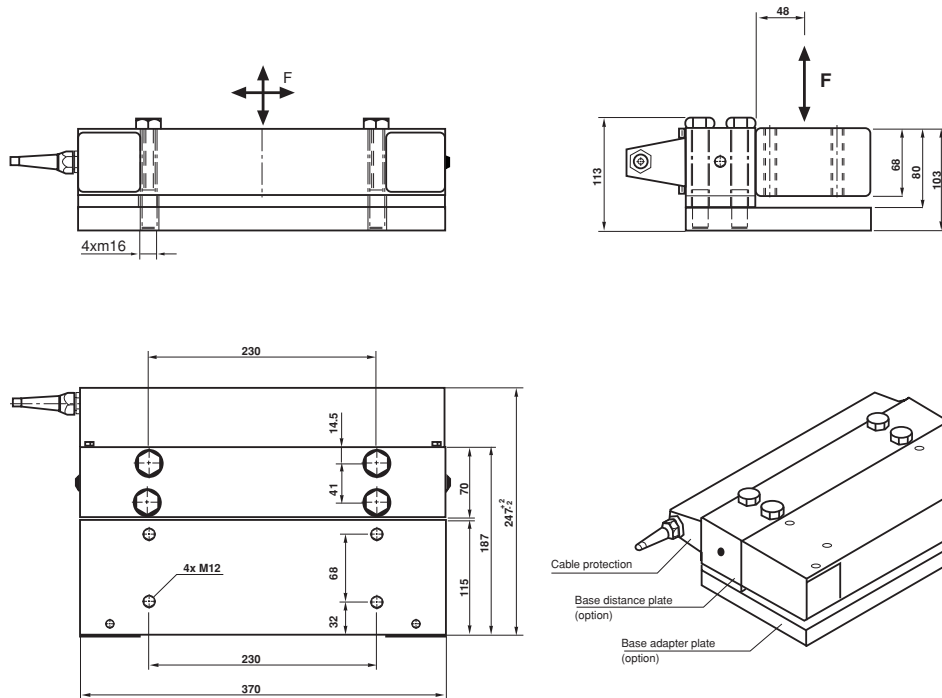
Rated load (R.L.)		kN	20*
Combined error		% of R.O.	± 0.1
Repeatability		% of R.O.	0.05
Overload	safe	% of R.L.	300**
	ultimate	% of R.L.	500**
Input voltage	recommended	V DC or AC	10
	maximum	V DC or AC	18
Input resistance		ohm	178 ± 5
Output resistance		ohm	178 ± 2
Rated output (R.O.)		mV/V	1.02
Zero balance		% of R.O.	± 5
Temperature range		°C	- 40 to + 90 (+ 120)***
Insulation resistance at 200 V DC		Gohm	> 4
Material			Stainless steel
Electrical connection			30 m shielded six conductor cable
Degree of protection			IP 67

*Other capacities on demand

**For load perpendicular to the block

***- 40 to + 120°C on demand

DIMENSIONS TU-2



INSTALLATION EXAMPLE

